



**बैंक नोट पेपर मिल इण्डिया प्रा. लिमिटेड**

**BANK NOTE PAPER MILL INDIA PVT LIMITED**

JV of SPMCIL - A Govt. of India Enterprises & BRBNMPL - A Subsidiary of RBI

**Administrative Building, Gate 1, Paper Mill Compound**

**Note Mudran Nagar, Mysuru 570003**

**Phone: 0821-2401 111/176/180/177, FAX: 0821- 2401120**

**OPEN TENDER ENQUIRY No. BNPM/OTE/254/2023-24**

**Item Description: Notching Tool (Die & Punch), Cone for air filtration unit**

**Tender Issuing Date & Time: 31.08.2023 1100 hrs.**

**A. Instruction to tenderers:**

Type of Tender (Two Bid / PQB / EOI / RC / Development / Indigenization / Disposal of Scrap / Security item etc.	<b>Single Bid System</b> (Part-I Techno-commercial bid & Financial /Price Bid)
<b>Tender Processing Fee</b>	<b>Rs. 100/- + taxes (to be paid online)</b>
Bid submission mode	Online Through e-tendering portal <a href="http://www.tenderwizard.com/BNP">www.tenderwizard.com/BNP</a> .
Closing date and time for receipt of tenders	<b>13.09.2023; 1100 Hrs.</b>

1. Interested bidders may obtain further information about this requirement from the above office selling the documents. They may also visit our website [www.tenderwizard.com/BNP](http://www.tenderwizard.com/BNP) mentioned above for further details.
2. Aspiring Bidders/Contractors who have not registered in e-tendering should register through the website E – Tendering ([www.tenderwizard.com/BNP](http://www.tenderwizard.com/BNP)) for participating in the Online Tenders. The registration charges will be Rs. 500/- plus applicable taxes (per year) which needs to be paid through electronic mode only.
3. For details, registration and e-payment, please visit e-tendering website [www.tenderwizard.com/BNP](http://www.tenderwizard.com/BNP) or contact KEONICS help desk @ 8951906455.
4. Class III Digital Signature Certificate (DSC) is mandatory to participate in e-Tenders. Participating bidders/Contractors have to make sure that they have the valid DSC. If not, they can procure from any of the firm as approved by CCA.
5. The tenderer shall satisfy BNPMIPL that they are competent and authorized to submit tender and/or to enter into a legally binding contract with the BNPMIPL. To this effect, any person giving a tender shall render documentary evidence that his signature on the tender submitted by him is legally binding upon himself, his firm or company as the case may be
6. BNPM reserves the right to cancel the tender at any stage without assigning the reasons thereof.

**OPEN TENDER ENQUIRY No BNPM/OTE/254/2023-24**

**B. Scope of Supply:** Supply of following items:

<b>S No</b>	<b>Item Description</b>	<b>UOM</b>	<b>Quantity</b>
1.	<b>Cone for air filtration unit .Moc : EN19</b>  Tech details : Briquette press cyclone Separator cone as per drawing no BNPM/PP/141/2023-24. MOC: EN19 Cone should be concentric and made with single longitudinal joint by welding  Internal surface should be free from any defect / surface damage.  Painting to be done on external surface only. Colour : Blue	No's	2
2.	Notching Tool (Die)	No's	15
	Notching Tool (Punch)	No's	25

**C. Terms & Conditions:**

**1. Documents to be submitted:**

- a) Signed copy of this document (All the pages).
- b) Filled price details as per the format provided below in this document.
- c) Technical details /datasheet for the enquired product (if applicable).
- d) Micro / Small Enterprise (Certificate issued by MSME)/UAM/NSIC certificate (If applicable).
- e) Manufacturing unit details (if any).

**2. Price:** Price should be inclusive of P&F, Freight, Transit Insurance and GST. Price shall remain fixed & no price variation shall be accepted till completion of contract.

**3. Terms of Payment:** 100% payment shall be made within 30 days after receipt and acceptance of entire material as per purchase order at BNPM Plant, Mysuru and on production of all required documents by the supplier. NEFT/RTGS details shall be furnished along with the Original Invoice.

**4. Delivery Terms & Delivery Address:** Delivery shall be made on F.O.R Basis, Bank Note Paper Mill India Pvt. Ltd., Mysore.

Delivery Address: Engineering Stores, Bank Note Paper Mill India Pvt. Ltd., Note Mudran Nagar, Mysore - 570003. Stores contact details: 0821-2401476/486.

**5. Delay in supplier's performance:** Time for and the date specified in the contract or as extended for the delivery of the stores shall be deemed to be the essence of the contract

## OPEN TENDER ENQUIRY No BNPM/OTE/254/2023-24

and the supplier shall deliver the goods and perform the services under the contract within the time schedule specified by BNPM in the contract.

Any delay attributable to the supplier in maintaining its contractual obligations towards delivery of goods and performance of services shall render the supplier liable to any or all the following sanctions besides any administrative action such as (a) Imposition of liquidity damages; (b) Termination of contract for default.

- 6. Extension of Time:** If the contract is delayed in the progress of work by changes ordered in the work, or any clause which BNPM shall decide to justify the delay, then the time of completion shall be extended by a reasonable time.

If at any time during the currency of contract, the supplier encounters conditions hindering timely delivery of the goods and performance of services, the supplier shall promptly inform BNPM in writing about the same and its likely duration and make a request to BNPM for extension of the delivery schedule accordingly. On receiving the supplier's communication, BNPM shall examine the situation as soon as possible and, at its discretion, may agree to extend the delivery schedule, with or without liquidated damages for completion of supplier's contractual obligations by issuing an amendment to the contract.

- 7. Rejection Replacement:** In case of supplies, materials not meeting our specification will be rejected outright and the rejected material shall be taken back within 7 days at the cost and risk of the supplier and replacement should be made within 15 days from the date of intimation. No payment shall be made for rejected item. If the material is not taken back within the stipulate period, BNPM reserves the right to dispose-off the material at the risk and expense of the vendor as per provision under Section IV: General conditions of contract.

- 8. Risk Purchase Clause:** If the supplier fails to abide by the terms and conditions of the contract/agreement, or fails to supply the material as per the delivery schedule or any time repudiates the contract,

Procure the tendered item / render service from other agencies at the risk and cost of the supplier. The cost difference between the alternative arrangement and existing contract value wherein default has been made will be recovered from the supplier along with the other incidental charges.

In case of procurement through alternative sources, if procurement price is lower than the existing contract value wherein default has been made, in such case no benefit on this account will be passed on to the supplier.

- 9. Termination for Convenience (Foreclosure) Clause:** BNPM reserves the right to terminate the contract, in whole or in part for its (BNPM's) convenience, by serving written notice on the supplier at any time during the currency of the contract. The notice shall specify that the termination is for the convenience of BNPM. The notice shall also indicate inter-alia, the extent to which the supplier's performance under the contract is terminated, and the date with effect from which such termination will become effective.

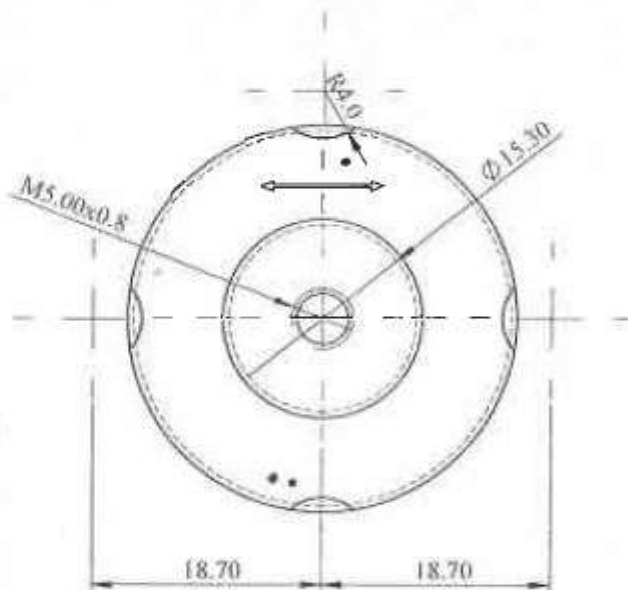
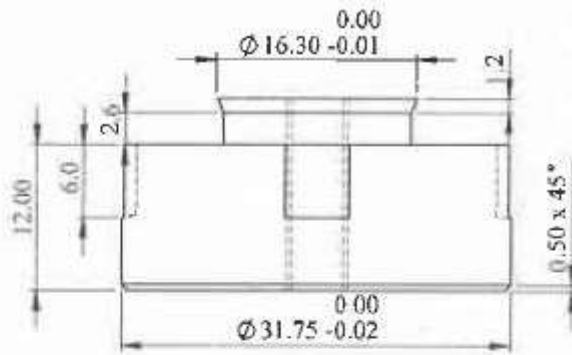
- 10. Settlement of Disputes through Arbitration:** All disputes and differences of any kind whatsoever arising out of or in connection with the contract, whether during the

**OPEN TENDER ENQUIRY No BNPM/OTE/254/2023-24**

progress of the work or after their completion except accepted matters shall be settled through arbitration process as per the Arbitration & Conciliation Act, 1996. The venue of arbitration shall be Mysore, Karnataka.

- 11. Legal Jurisdiction:** The Courts of Mysore (Karnataka State) shall alone have jurisdiction to decide on any legal matter of dispute whatsoever arising out or in respect of the contract.
- 12. Force Majeure:** In the event of any unforeseen event directly interfering with the supply of stores arising during the currency of the contract, such as war, hostilities, acts of the public enemy, civil commotion, sabotage, fires, floods, explosions, epidemics, quarantine restrictions, strikes, lockouts, or acts of God, the Contractor shall, within a week from the commencement thereof, notify the same in writing to the Purchaser with reasonable evidence thereof. Unless otherwise directed by BNPM in writing, the supplier shall continue to perform its obligations under the contract as far as reasonably practical, and shall seek all reasonable alternative means for performance not prevented by the Force Majeure event. If the force majeure condition(s) mentioned above be in force for a period of 90 days or more at any time, either party shall have the option to terminate the contract on expiry of 90 days of commencement of such force majeure by giving 14 days' notice to the other party in writing. In case of such termination, no damages shall be claimed by either party against the other, save and except those which had occurred under any other clause of this contract prior to such termination.
- 13. Fore-Closure Clause:** If at any time during the continuation of this contract, the use of material ordered in this contract is completely banned or due to drastic change in Government policy its use as, raw material is discontinued or is declared hazardous to public health or cause rising to civil commotion, epidemics, wide-spread strikes and 21 days' notice of such eventualities is given by purchaser to the seller, the seller without any right to enforce the contract, will agree to the fore-close the performance of balance portion of this contract and in that event no claim for damages or loss will be lodged against the purchaser.
- 14. Rights of Rejection:** BNPMIPL reserves the right to reject any or all the applied bids without assigning any reason whatsoever. The enquiry can be rejected on national security grounds.

### Notching Punch



Note : Unspecified linear tolerance is  $\pm 0.05$   
Angular tolerance is  $\pm 0^{\circ}15'$

Material : SAE 1011

Do not scale drawing

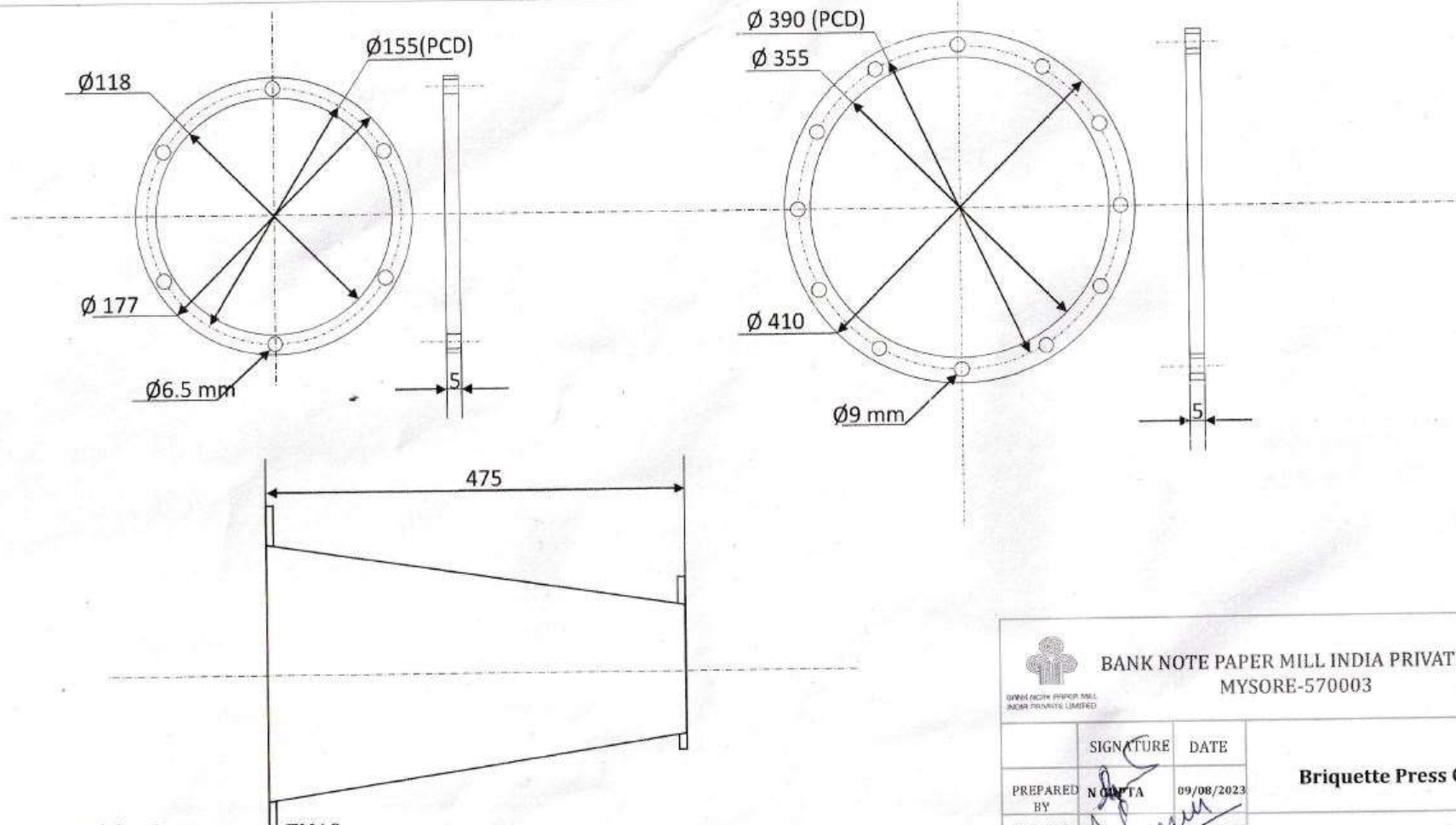
Ref: P.O. No. BNPM/CO/110/117/2016-17  
Date: 17-May-2017

Drawn by: - MV


Verified by: - H.M. Raghavendra

Approved:

**KL PRAKASH**  
Dy. General Manager  
Govt. Tool Room & Training Centre  
Plot No. 55 & 56, Balagoda Indl. Area,  
K.R.S. Road, Mysore-570014



Note : MOC Of the Component : EN19  
 Plate thickness : 5mm  
 longitudinal seam of cone should be single

 BANK NOTE PAPER MILL INDIA PRIVATE LIMITED MYSORE-570003			
	SIGNATURE	DATE	<b>Briquette Press Cone</b>  <b>MOC : EN19</b>  DRG.NO:BNPM/PP/141/2023-24
PREPARED BY	N. S. TA	09/08/2023	
CHECKED BY	Abhishek K	09/08/2023	
APPROVED BY	N. S. Kumar	09/08/2023	

**OPEN TENDER ENQUIRY No BNPM/OTE/254/2023-24**

**1. Price Bid Format:**

Sch. No	Material Description	UO M	Qty	Unit Price (INR)	P&F, Insurance & Freight Charges (INR)	GST@ Amount (INR)	Unit price including P&F, Insurance, Freight & GST (INR)	Total price inclusive of P&F, Insurance, Freight & GST (F.O.R, BNPM, Mysuru) (INR)	Input GST Credit (INR) {GST amount * Total quantity}	Effective price inclusive of P&F, Insurance, Freight (F.O.R, BNPM, Mysuru) (INR)
A	B	C	D	E	F	G	H=E+F+G	I=H*D	J=G*D	K=I-J
1.	<b>Cone for air filtration unit</b> <b>MOC : EN19</b> Briquette press cyclone Separator cone as per drawing no BNPM/PP/141/2023-24.	No's	2							
2.	Notching Tool (Die) As per drawing BNPM/CO/WO/117/2016-17	No's	15							
	Notching Tool (Punch) As per drawing BNPM/CO/WO/117/2016-17	No's	25							
<b>Grand Total</b>										

**Note:**

1. Evaluation shall be done on the basis of schedule wise lowest effective price (Item wise L1) quoted by the bidder

**OPEN TENDER ENQUIRY No BNPM/OTE/254/2023-24**

We hereby confirm that

1. We accept all the terms & conditions mentioned in the enquiry.
2. Price quoted is inclusive of P&F, Insurance, Freight and GST on F.O.R Basis, BNPM Plant, Mysore.
3. HSN Code: Item .....
4. GST registration status: Unregistered / compounding / registered.
5. Delivery period: ..... (Days / Weeks)
6. Warranty Period: ..... Months (Time Period to be specified in case warranty period is less than 12 months / NA to mentioned in the in case warranty is not applicable)
7. Bid validity: 90 days from date of closing of tender including extensions/ corrigendum's (if any).

**8. Bank Details:**

Bank Acc. No. ....;

Bank Acc Name: .....

Branch name: .....; Branch Code: .....

IFSC: .....

9. MSME / NSIC status: ..... (If yes, then supporting document shall be submitted along with the offer to avail the benefits under the Procurement Policy for MSEs, Order 2012 along with its amendments.)

(Please fill above: MSI – For Micro Enterprises; SSI – For Small Enterprises; MED.SI – For Medium Enterprises; NSIC – For National Small Industries Corporation regd. firm)

Signature of bidder: .....

Name of the Firm: .....

Seal of the firm: .....

GST No.: .....

**Contact Details:-**

Contact Person: .....

Contact Number: .....



**OPEN TENDER ENQUIRY No BNPM/OTE/254/2023-24**

**(To be submitted on Company letterhead)**

**BID SECURITY DECLARATION**

We, the undersigned, declare that we will automatically be suspended from being eligible for bidding in any tender with Bank Paper Mill India Private Limited, Mysore for the period of 12 months, if we are withdrawing our Bid during the period of bid validity (or) fail / refuse to furnish the performance security / execute the contract, if awarded.

Signature \_\_\_\_\_

Name-----

Designation-----

Date-----

Stamp of the Organization-----