



बैंक नोट पेपर मिल इण्डिया प्रा. लिमिटेड
BANK NOTE PAPER MILL INDIA PVT LIMITED
JV of SPMCIL - A Govt. of India Enterprises & BRBNMPL - A Subsidiary of RBI

BANK NOTE PAPER MILL INDIA PRIVATE LIMITED
CIN: U21090KA2010PTC055475 | CORPORATE OFFICE, MYSORE
Email: sanjeev.kunal@bnpmindia.com; Ph: 0821 2401 144

Open Tender Enquiry No: BNPM/OTE/SOM/0890/2022-23

Issue Date: 04.03.2023 @ 1245 Hrs.
Extn-1: 13.03.2023 @ 1530 Hrs.
Closing Date: 20.03.2023 @ 1430 Hrs.

I. Scope of Supply: 3 Phase Sq. Cage Induction Motor, 0.12kW

Sl.no.	Item Description	Qty.
1	<p>415V, 3 Phase Sq. Cage Induction Motor, 0.12kW Technical Data: (3-Phase Induction Motor) Rated Voltage: 415V Star-connected Rated Power: 0.12 kW / 0.16 HP Rated Current: 0.45 Amp. Max. Speed: 1400 RPM Nominal Frequency: 50 Hz Efficiency Class (min): IE2 Mounting: B5 (Flange Mounting) Frame Size: 63 (IEC standard) Insulation Class: F Cable Gland and dimensions: 2 x M20 x 1.5 (1 hole on each side) Protection Class: IP56 Duty Class: S1 Motor Construction: TEFC Model (Make: Bonfiglioli): BE 63A4 B5 or Equivalent approved by BNPM Make: Bonfiglioli/ Hindustan motor/ Nord/ Any other make approved by BNPM Technical datasheet and motor drawing attached for reference at page no. 5</p>	02 Nos.



II. Terms & Conditions:

S. No	Particulars	Quantity
1.	Mode of Submission of bid:	Through email on or before tender enquiry closing date and time. Bid is to be submitted to below mentioned id. Email id: sanjeev.kunal@bnpmindia.com
2.	Payment Terms	100% within 30 days from date of receipt and acceptance of goods by the consignee at destination and on production of all required documents by the supplier.
3.	Price	Price should be inclusive of all taxes & duties.
4.	Freight	Shall be included in quoted price.
5.	Packing & Forwarding	Shall be included in quoted price.
6.	Delivery Terms	F.O.R Basis, Bank Note Paper Mill India (P.) Ltd., Mysuru
7.	Warranty Period from date of supply at BNPM, Mysuru
8.	Warranty Certificate	Shall be submitted with supplies on company letter head
9.	Delivery Period weeks from date of receipt of purchase order
10.	Validity of Bid	30 days from date of closing of enquiry
11.	Material to be delivered at	Engineering Stores, Bank Note Paper Mill India Private Limited, Note Mudran Nagar, Mysuru-570 003
12.	Contact person	Mr. Sanjeev Kunal Ph: 0821-2401144



III. Price Bid Format:

Sch. No.	Description	Qty	UOM	Unit rate (Rs.)	P&F, Insurance & Freight Charges (Rs.)	GST @____% (Rs.)	Unit rate including P&F, Insurance, Freight Charges & GST (Rs.)	Grand total inclusive of P&F, Insurance, Freight Charges & GST (F.O.R, BNPM, Mysuru) (Rs.)
1	415V, 3 Phase Sq. Cage Induction Motor, 0.12kW Technical Data: (3-Phase Induction Motor) Rated Voltage: 415V Star-connected Rated Power: 0.12 kW / 0.16 HP Rated Current: 0.45 Amp. Max. Speed: 1400 RPM Nominal Frequency: 50 Hz Efficiency Class (min): IE2 Mounting: B5 (Flange Mounting) Frame Size: 63 (IEC standard) Insulation Class: F Cable Gland and dimensions: 2 x M20 x 1.5 (1 hole on each side) Protection Class: IP56 Duty Class: S1 Motor Construction: TEFC Model (Make: Bonfiglioli): BE 63A4 B5 or Equivalent approved by BNPM Make: Bonfiglioli/ Hindustan motor/ Nord/ Any other make approved by BNPM Technical datasheet and motor drawing attached for reference at page no. 5	2	Nos.					

Note: Evaluation shall be done on basis of schedule wise (line item wise) grand total price.

We hereby confirm that

1. We accept all terms & conditions mentioned in the enquiry.
2. Price quoted is inclusive of P&F, Freight, Any other charges & GST on F.O.R, BNPM Plant, Mysuru.
3. HSN:

Signature of the bidder:

Contact Person:



Open Tender Enquiry No: BNPM/OTE/SOM/0890/2022-23

Contact Number:

Email Id:

Name of the Firm with Address:

.....

.....

Seal of the firm:

GST No: {GST status: Unregistered / Composite / Registered}

Bank Details: Acc. No.:; Bank Name:

Branch Name:; IFSC:

Registered with MSME / NSIC: (If yes, then supporting document to be submitted along with the offer).

NOTE: Interested bidders are recommended to register themselves at company's website <https://bnpmindia.com/Vendor.aspx> in order to get future enquiries of relevant items.



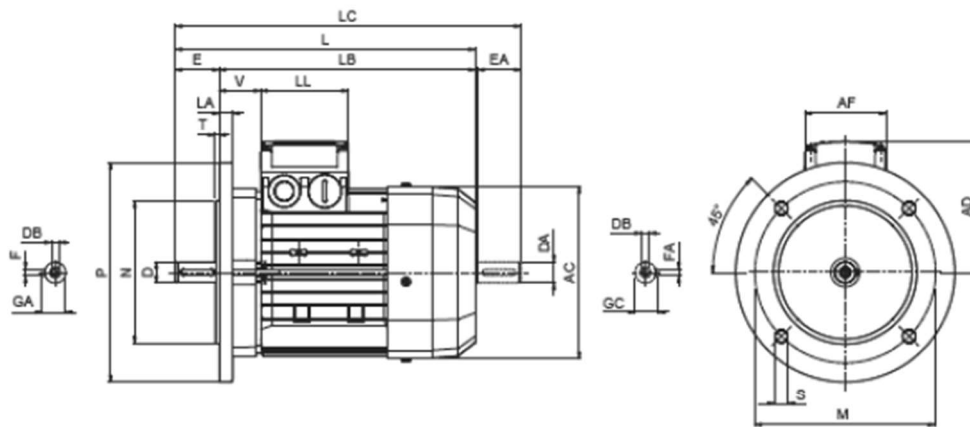
Technical Specification & Dimensional Drawing (For Reference)

Technical Specification and Dimensional Drawing – Three Phase Induction Motor (0.12 kW)

Technical Data: (3-Phase Induction Motor)

Rated Voltage:	415V Star-connected
Rated Power:	0.12 kW / 0.16 HP
Rated Current:	0.45 Amp.
Max. Speed:	1400 RPM
Nominal Frequency:	50 Hz
Efficiency Class (min):	IE2
Mounting:	B5 (Flange Mounting)
Frame Size:	63 (IEC standard)
Insulation Class:	F
Cable Gland and dimensions:	2 x M20 x 1.5 (1 hole on each side)
Protection Class	IP56
Duty Class:	S1
Motor Construction :	TEFC
Equivalent Model (Make: Bonfiglioli)	BE 63A4 B5

Dimensional Drawing:



Motor Frame	SHAFT					FLANGE						MOTOR							
	D/DA	E/EA	DB	GA/GC	F/FA	M	N	P	S	T	LA	AC	L	LB	LC	AD	AF	LL	V
63	11	23	M4	12.5	4	115	95	140	9.5	3	10	121	207	184	232	95	74	80	26

(All dimensions are in mm)

