

**BANK NOTE PAPER MILL INDIA PRIVATE LIMITED,  
CIN: U21090KA2010PTC055475  
CORPORATE OFFICE, MYSORE  
0821-2401173**

Email: [gourab.banerjee@bnpmindia.com](mailto:gourab.banerjee@bnpmindia.com) ;

**ENQUIRY No: BNPM/ENQ/SCREEN FOR BASKET STRAINER /034/2018-19**

**Start Date: 16.04.2018**

**Last Date: 21.04.2018**

**1. Scope of work:**

Supply of **SCREEN FOR BASKET STARINER – as per the Technical Specification provided herewith in Annexure -1.**

**2. Terms & Conditions:**

S. No.	Particulars	Quantity
1.	Payment Terms & Mode of Payment	100% on receipt and acceptance of goods by the consignee at destination and on production of all required documents by the supplier. <b><u>Warranty certificate (if applicable) and NEFT/RTGS details shall be furnished along with invoice.</u></b>
2.	Price	1. Price should be inclusive of all taxes & duties. Price evaluation will be without GST, however the order value will be inclusive of GST. Price should be fixed & firm up to the completion of supply, No price variation is accepted.
3.	Freight	Shall be included in quoted price.
4.	Packing & Forwarding	Shall be included in quoted price
5.	Delivery Terms	FOR, Bank Note Paper Mill India Private Limited, Mysore
6.	Warranty Period	1 year from the date of delivery of material.
7.	Warranty Certificate	Applicable
8.	Delivery Period	2 weeks from receipt of order.
9.	Material to be delivered at	Engineering Stores Bank Note Paper Mill India Private Limited Note Mudran Nagar Mysore 570 003
10.	Contact person in Engineering Stores	Mr. Ashutosh Kumar 0821 2401 486 Mr. Sunil Kumar 0821 2401 485



**ANNEXURE -1**

**TECHNICAL SPECIFICATION:**

<b><u>FEATURE</u></b>	<b><u>TECH. SPECIFICATION</u></b>
<b>SOLENOID COIL</b>	
ITEM	SCREEN FOR BASKET STRAINER
SCREEN FOR 300 NB PIPE BASKET STRAINER	QTY -2 NOS
SCREEN FOR 200 NB PIPE BASKET STRAINER	QTY -4 NOS
SCREEN FOR 150 NB PIPE BASKET STRAINER	QTY -4 NOS
MOC	SS 304
MESH	40
MAKE	MARCK/EQUIVALENT HAVING SUFFICIENT
DRAWING , DIMENSION, GA, OTHER TECHNICAL DATA	REFERENCE GA , TECHNICAL DATA , DRAWING & DIMENSION DETAILS ATACHED HEREWITH (3 PAGES)

**We hereby confirm that**

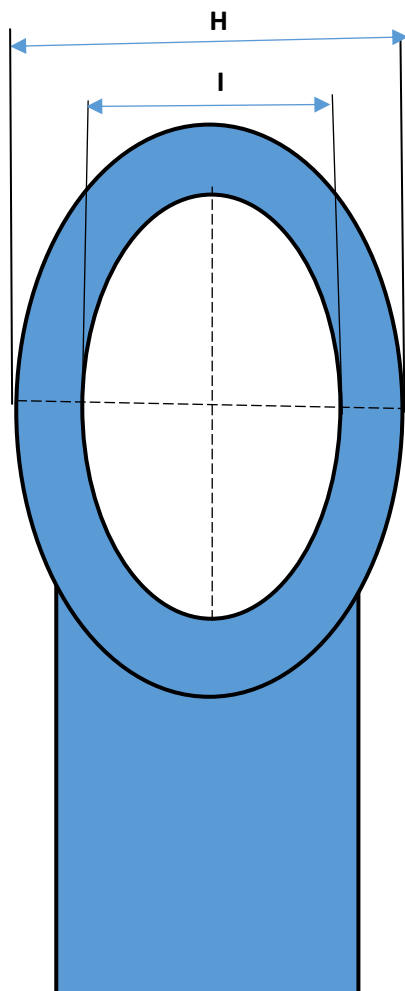
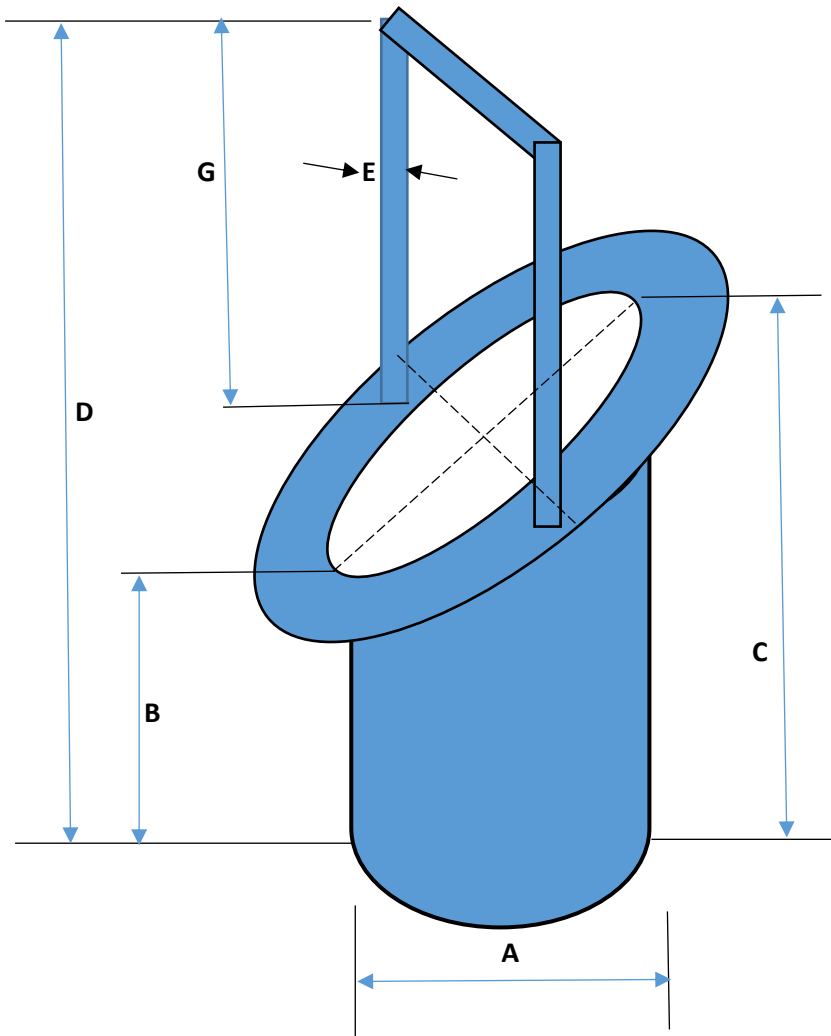
We hereby confirm that the Bid submitted by us is as per the technical specification specified in Annexure -1 and if awarded material will be supplied as per the same specification only. If at any time it is found that the material supplied by us is not as per this technical specification then the delivered material will be replaced with actual material free of cost , if not replaced then BNPMIPL have the right to procure the material from other sources at the risk & cost of us.

Signature of bidder:.....

Name of the Firm:.....

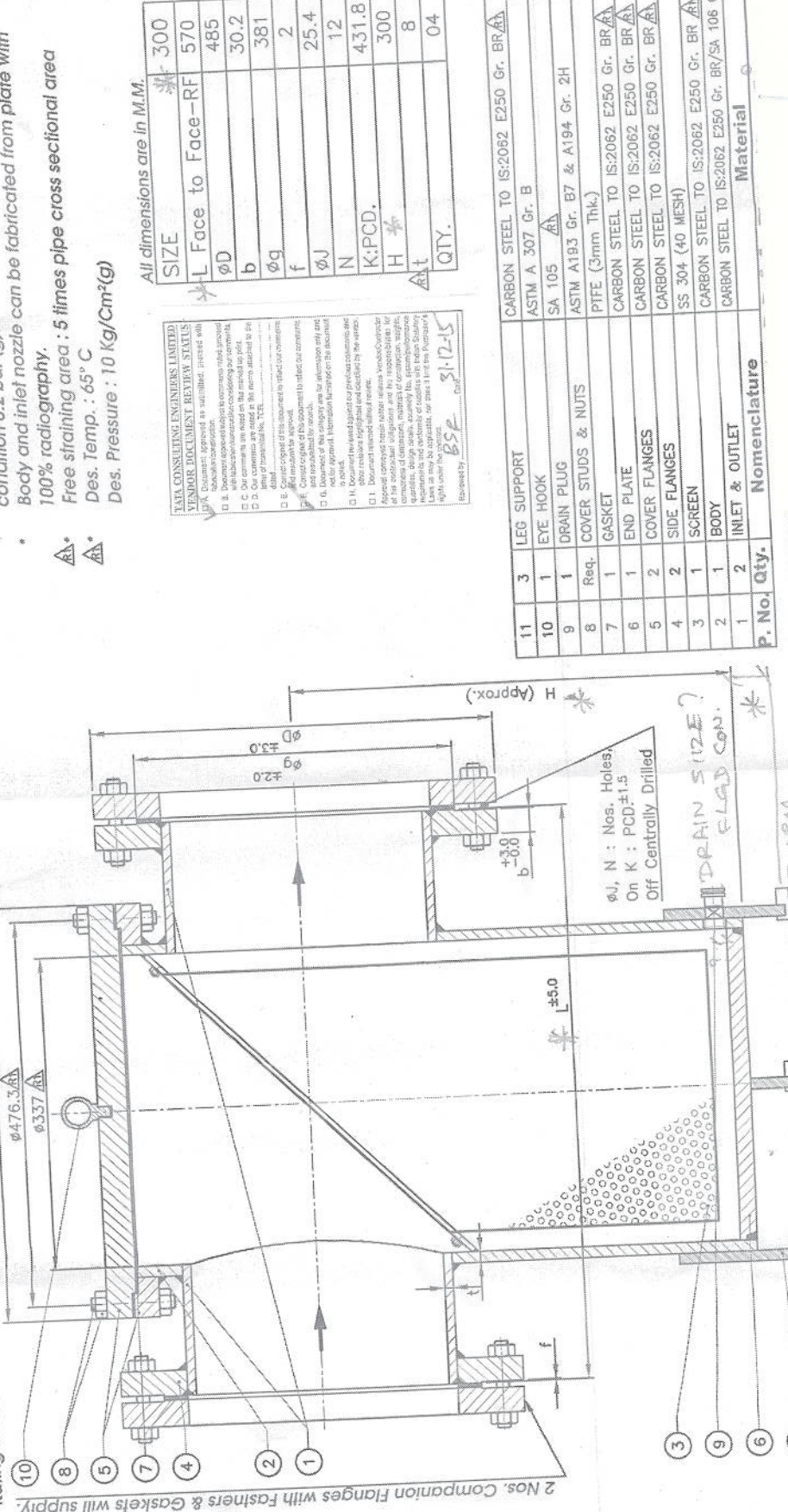
Seal of the firm: .....





Sl No	Description		For 300Nb Measurement in mm	For 200 Nb Measurement in mm	For 150 Nb Measurement in mm
1	Basket Diameter	A	250	180	140
2	Basket Height	B	265	200	140
3	Ring Outer Diameter	C	590	400	290
4	Overall Height	D	660	500	370
5	Basket Handle Width	E	25	25	25
7	Handle Length	G	230	190	170
8	Outer Ellipse Minor Axis	H	330	240	190
9	Inner Ellipse Minor Axis	I	240	150	110

**Technical Data :**  
 Manufacturing Std. : Marck/014  
 End Connection : Flanged Ends to ASME B16.5 RF 150#  
 Inspection and Testing Std. : BS EN 12266-1  
 Rating : PN10



TEST PRESSURE	
TESTING	BODY
HYDRAULIC	15 Kg/Cm <sup>2</sup>

- NOTE:**
- Max. permissible pressure drop under 50% clogged condition 0.2 bar (g).
  - Body and inlet nozzle can be fabricated from plate with 100% radiography.
  - Free straining area : 5 times pipe cross sectional area
  - Des. Temp. : 65° C
  - Des. Pressure : 10 Kg/Cm<sup>2</sup>(g)

All dimensions are in M.M.

SIZE	QTY.
L Face to Face-RF	300
ØD	570
b	485
Øq	30.2
f	381
ØJ	2
Ø	25.4
N	12
K:PCD.	431.8
H	300
At	8
QTY.	04

**TAMA CONSULTING ENGINEERS LIMITED**  
 Vendor Document Review Status

- A. Document approved as submitted, proceed with the work.
- B. Document approved with minor corrections noted approved with fabrication/inspection/conditioning/conditioning notes.
- C. Our comments are noted in the margin, attached to the copy of the drawing file, TCEI.
- D. Document approved with minor corrections noted approved with fabrication/inspection/conditioning/conditioning notes.
- E. All documents to be approved.
- F. Contract of the project to other our customers, not in progress of the project, for information only and not for approval, information furnished for the information only.
- G. Document approved with minor corrections noted approved with fabrication/inspection/conditioning/conditioning notes.
- H. Document approved with minor corrections noted approved with fabrication/inspection/conditioning/conditioning notes.
- I. Document approved with minor corrections noted approved with fabrication/inspection/conditioning/conditioning notes.
- J. Document approved with minor corrections noted approved with fabrication/inspection/conditioning/conditioning notes.
- K. Document approved with minor corrections noted approved with fabrication/inspection/conditioning/conditioning notes.
- L. Document approved with minor corrections noted approved with fabrication/inspection/conditioning/conditioning notes.

Approved by: **BSE 31/12/15**

C.D.R.L. COPY

P. No.	Qty.	Nomenclature	Material
11	3	LEG SUPPORT	CARBON STEEL TO IS:2062 E250 Gr. BR(A)
10	1	EYE HOOK	ASTM A 307 Gr. B
9	1	DRAIN PLUG	SA 105 (A)
8	Req.	COVER STUDS & NUTS	ASTM A193 Gr. B7 & A194 Gr. 2H
7	1	GASKET	PIFE (3mm Thk.)
6	1	END PLATE	CARBON STEEL TO IS:2062 E250 Gr. BR(A)
5	2	COVER FLANGES	CARBON STEEL TO IS:2062 E250 Gr. BR(A)
4	2	SIDE FLANGES	CARBON STEEL TO IS:2062 E250 Gr. BR(A)
3	1	SCREEN	SS 304 (40 MESH)
2	1	BODY	CARBON STEEL TO IS:2062 E250 Gr. BR(A)
1	2	INLET & OUTLET	CARBON STEEL TO IS:2062 E250 Gr. BR/SA 106 Gr. BR(A)

29/12/15	R1	CLIENT COMMENTS INCORPORATED	RAVI PATEL
DATE	NO.	AMENDMENT/REVISION	NAME

CLIENT: BANK NOTE PAPER MILL INDIA PVT. LTD.

CHK. BY: [Blank]

APPD. BY: [Blank]

DATE: 17/12/15

SCALE: N. T. S.

DRAWN BY: RAVI PATEL

ING. No. : BNPM/CO/ENG/16/2015-16

ING. Dt. : 12-10-2015

DRG. NO. HEL/BST-STR/FAS/150#/D/R1

ASSEMBLY OF 150# FLANGED ENDS

M.S. FABRICATED BASKET TYPE STRAINER.

31 DEC 2015

S783A-HEL-GR1

3. Price Bid Format :

S. No. (A)	Description (B)	HSN CODE	Qty (C)	UOM (D)	Unit rate (Basic) - in Rs. (E)	Freight, P&F Charges (if any) - in Rs. (F)	Total Rate inclusive of Basic Rate , Freight , P&F charges- exclusive of GST (DAP, BNPM, Mysore) { G= (E+F)*C}
1	SCREEN FOR 300 NB PIPE BASKET STRAINER -as per the Technical Specification provided herewith in Annexure -1 & reference GA , DRAWING , DIMENSION DETAILS		2	Nos			
2	SCREEN FOR 200 NB PIPE BASKET STRAINER - as per the Technical Specification provided herewith in Annexure -1 & reference GA , DRAWING , DIMENSION DETAILS		4	Nos			
3	SCREEN FOR 150 NB PIPE BASKET STRAINER- as per the Technical Specification provided herewith in Annexure -1 & reference GA , DRAWING , DIMENSION DETAILS		4	Nos			
2	GST %			GST VALUE - in Rs.(H)			
3	GRAND TOTAL (INCLUSIVE OF GST)- in Rs. -(G+H)						
4	GRAND TOTAL(INCLUSIVE OF GST)- in words						



We hereby confirm that

2. We accept all terms & conditions mentioned in the enquiry.
3. Price quoted is inclusive of all taxes, duties, P&F, freight etc. on FOR, BNPM, Mysore basis.
4. In case of any discrepancy between value in words and figures, value in figures shall prevail.

Signature of bidder:.....

Name of the Firm:.....

Seal of the firm: .....

