

BANK NOTE PAPER MILL INDIA PRIVATE LIMITED,
CIN: U21090KA2010PTC055475
CORPORATE OFFICE, MYSORE
Email: bhoodhar@bnpmindia.com
Tel: 0821-2401-174

ENQUIRY No: BNPM/ENQ/ CANOPIES/401/2017-18

Start Date: 29.01.2018

END Date: 02.02.2018

1. Scope of work:

Supply of “transmitter and junction box canopies”.

2. Terms & Conditions:

S. No.	Particulars	Quantity
1.	Payment Terms	100% on receipt and acceptance of goods by the consignee at destination and on production of all required documents by the supplier. <u>NEFT/RTGS details shall be furnished along with invoice.</u>
2.	Price	Price should be inclusive of all taxes & duties.
3.	Freight	Shall be included in quoted price
4.	Packing & Forwarding	Shall be included in quoted price
5.	Delivery Terms	DAP, Bank Note Paper Mill India Private Limited, Mysore
6.	Warranty Period(Please specify)
7.	Warranty Certificate	Applicable/ Not Applicable
8.	Delivery Period(Please specify)
9.	Material to be delivered at	Engineering Stores Bank Note Paper Mill India Private Limited Note Mudran Nagar Mysore 570 003

Remarks: Quotation should send by mail to bhoodhar@bnpmindia.com.



3. Price Bid Format :

S. No.	Description	Qty. A	UOM B	Unit rate C	GST @.....% D	Total E=C+D	Grand Total F=E*A	
1	Transmitter canopies, Size(400x300x300)mm	25	NOS					
2	Transmitter canopies, Size(400x600x300)mm	10	NOs					
3	Transmitter canopies, Size(400x900x300)mm	5	NOS					
4	Junction box canopies, Size(100x150x150) mm	25	Nos					
5	Junction box canopies, Size(300x500x150) mm	15	Nos					
6	Junction box canopies, Size(200x400x150) mm	10	Nos					
		Grand Total						
Grand Total In Words:								

We hereby confirm that

1. We accept all terms & conditions mentioned in the enquiry.
Price quoted is inclusive of all taxes, duties, P&F, freight etc. on DAP, BNPM, Mysore basis.

Signature of bidder:.....

Name of the Firm:.....

Seal of the firm:



Technical Specification

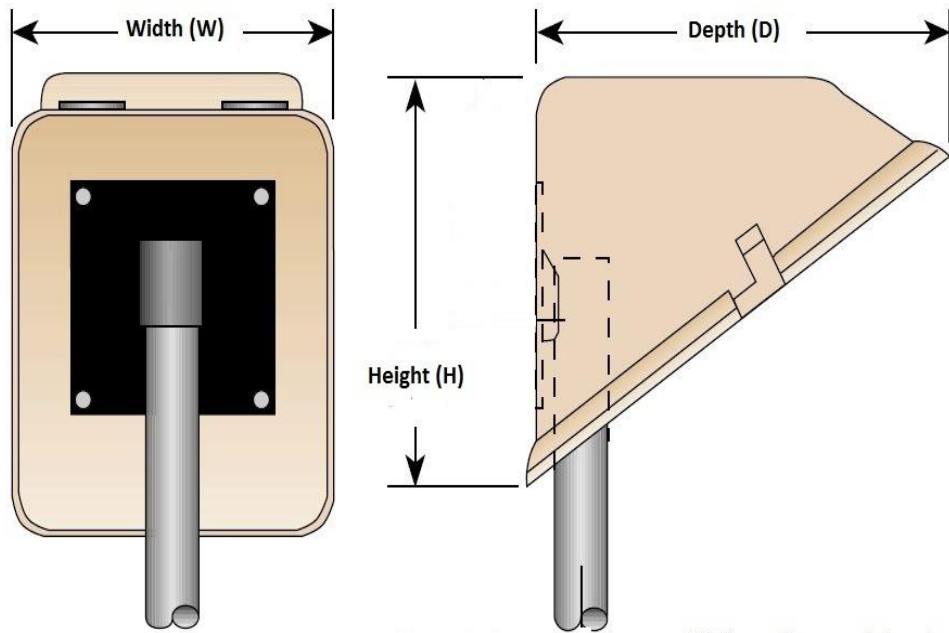
Canopies for Field Instruments/ Equipments

I. Transmitter Canopies (Water, Vapour, Chemical and Fire resistant)

Sl. No	Technical Specifications	BNPM's Requirement		Vendor's Offer	Deviations if any	Remarks
1.	Material	Transmitter Canopies				
2.	Material of Construction	Hot moulded FRP/GRP/SMC				
3.	Colour	Blue (Preferable) / Grey				
4.	Thickness	3 – 5mm				
	Size	Dimensions				Qty
4.	(Height x Width x Depth) (H x W x D)	1.(a)	400mm X 300mm x 300mm			25nos
		1.(b)	400mm x 600mm x 300mm			10nos
		1.(c)	400mm x 900mm x 300mm			5nos



Dimensions, [mm]



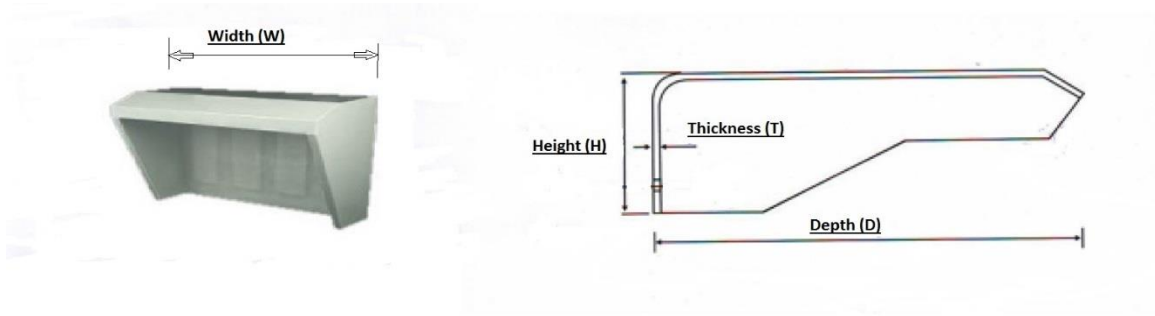
All dimensions are in 'mm'

CANOPY FOR TRANSMITTER

II. Junction Box Canopies (Water, Vapour, Chemical and Fire resistant)

Sl. No	Technical Specifications	BNPM's Requirement	Vendor's Offer	Deviations if any	Remarks
1.	Material	Transmitter Canopies			
2.	Material of Construction	FRP/GRP/SMC			
3.	Colour	Blue (Preferable) / Grey			
4.	Thickness	3 – 5mm			
	Size	Dimensions			Qty
4.	(Height x Width x Depth) (H x W x D)	2.(a)	100mm X 150mm x 150mm		25nos
		2.(b)	300mm x 500mm x 150mm		15nos
		2.(c)	200mm x 400mm x 100mm		10nos





Note:

- (i) The vendor should quote in the above format only clearly indicating the deviations.
- (ii) All recommendations/suggestions should be accompanied by Catalogues/Manuals/Drawings.

