

**BNPM/OTE/Size Press
Vibratory
Screen/0361/2022-23**

BANK NOTE PAPER MILL INDIA PRIVATE LIMITED

CORRIGENDUM No. 6

Supply of Size Press Vibratory Screen at BNPM, Mysuru

CORRIGENDUM No. 6 DATED 11.10.2022

FOR

TENDER No.

BNPM/OTE/Size Press Vibratory Screen/0361/2022-23 dated 18.08.2022.

PURCHASER	:	BANK NOTE PAPER MILL INDIA PRIVATE LIMITED
MATERIAL	:	Supply of Size Press Vibratory Screen at BNPM, Mysuru
LOCATION	:	BNPM PLANT, MYSURU, KARNATAKA



<u>BNPM/OTE/Size Press Vibratory Screen/0361/2022-23</u>	BANK NOTE PAPER MILL INDIA PRIVATE LIMITED	
	CORRIGENDUM No. 6 <u>Supply of Size Press Vibratory Screen at BNPM, Mysuru</u>	

1.0 SCOPE OF THIS CORRIGENDUM

1. Details provided in this corrigendum shall override those mentioned in the tender no. BNPM/OTE/Size Press Vibratory Screen/0361/2022-23 dated 18.08.2022.

2. Except for details mentioned herein, all other details contained in the tender no. BNPM/OTE/Size Press Vibratory Screen/0361/2022-23 dated 18.08.2022 shall remain unchanged.

3. Amendment to requirements :-

i) Refer tender page no.3 of 16, Section I, Notice Inviting Tender :-

Schedule No.	Brief Description of Goods / Services	EMD
01	Supply of Size Press Vibratory Screen	Rs. 3,500/-
02	Supply of Disc Screen-300micron for vibrating and grinding machine	
03	Supply of Disc Screen-500micron for vibrating and grinding machine	

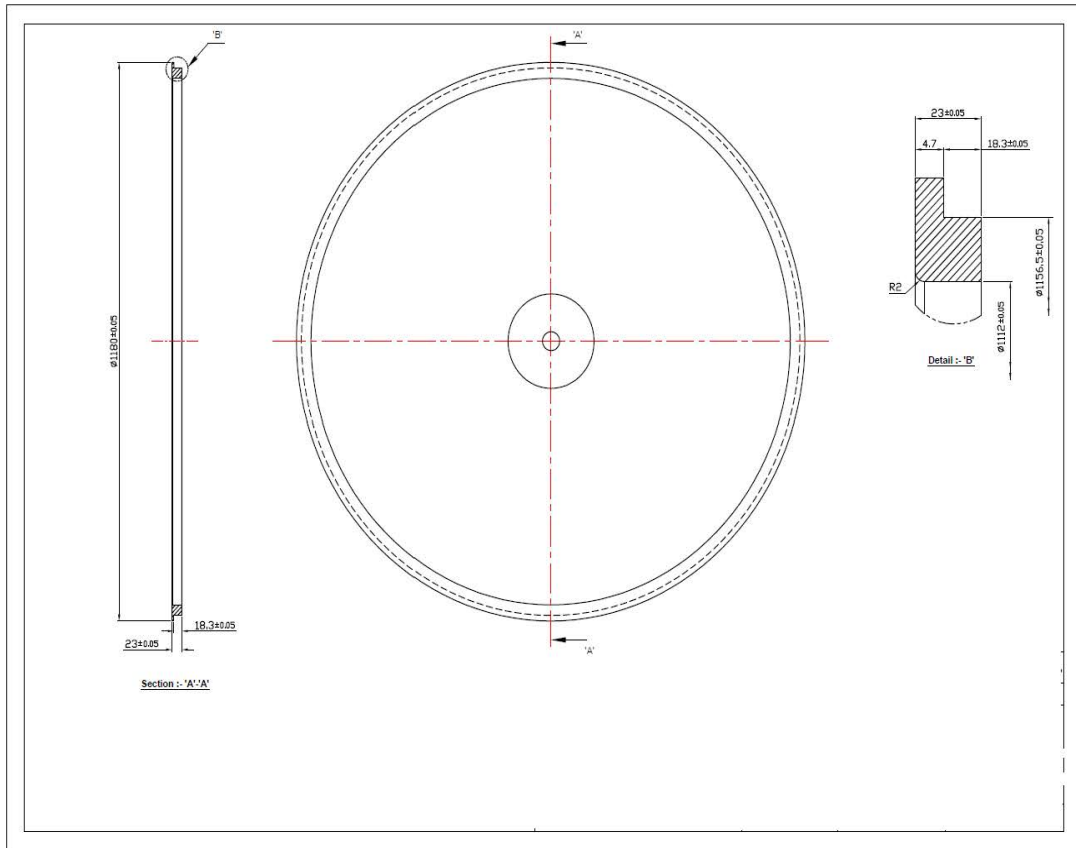
ii) Refer tender page no.9 of 16, Section III, Technical Specifications :-

S. No	Item	Qty
1	Size Press Vibratory Screen for PVA. Screen Size: 300 Micron Screen Dia: 48 inch MOC: Stainless Steel (SS) 300 Micron SS Screen mounted on 48 inch Tension Ring with TPE Gasket, with Centre Hole. (Ref Drawing -A)	2 No's
2	Supply of Disc Screen-300micron for vibrating and grinding machine Spare Screen for Vibrating and Grading Machine Screen Size: 300 Micro Meter Screen Diameter: 30 inch Screen MOC: SS316 (Ref Drawing - B)	1 No
3	Supply of Disc Screen-500micron for vibrating and grinding machine Spare Screen for Vibrating and Grading Machine Screen Size: 500 Micro Meter	1 No

BNPM/OTE/Size Press Vibratory Screen/0361/2022- 23	BANK NOTE PAPER MILL INDIA PRIVATE LIMITED	
	CORRIGENDUM No. 6 Supply of Size Press Vibratory Screen at BNPM, Mysuru	

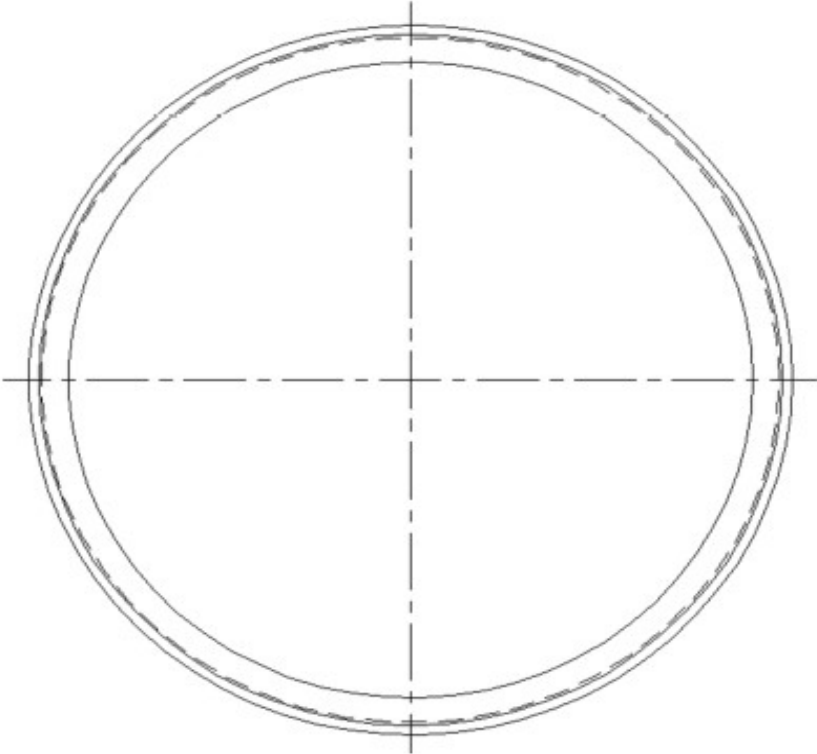
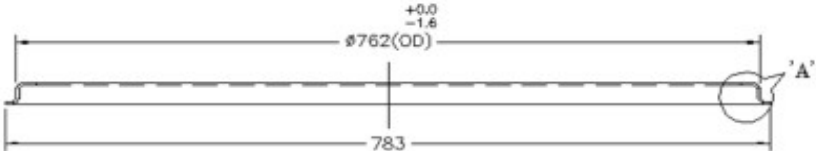
	Screen Diameter: 30 inch Screen MOC: SS316 (Ref Drawing B)	
--	--	--

Drawing A :



<u>BNPM/OTE/Size</u> <u>Press Vibratory</u> <u>Screen/0361/2022-</u> <u>23</u>	BANK NOTE PAPER MILL INDIA PRIVATE LIMITED	
	CORRIGENDUM No. 6 Supply of Size Press Vibratory Screen at BNPM, Mysuru	

Drawing B:



SCREEN DIMESNSIONS & DETAILS

- 1) Ring OD: 762 mm (30 inch)
- 2) Ring Sheet OD: 783 mm
- 3) Ring Dimension: 47.50 x 3 x 2387mm
- 4) Ring Sheet Thickness: 3.00 mm
- 5) Overall Screen Height: 47 - 48 mm
- 6) Screen Size: 300 and 500 micron (as per customer requirement)
- 7) MOC: SS 316
- 8) Weight: 2.75-3.00 Kg
- 9) Note: Remove all sharp edges and burrs. Smooth finishing.

<u>BNPM/OTE/Size</u> <u>Press Vibratory</u> <u>Screen/0361/2022-</u> <u>23</u>	BANK NOTE PAPER MILL INDIA PRIVATE LIMITED	
	CORRIGENDUM No. 6 <u>Supply of Size Press Vibratory Screen at BNPM, Mysuru</u>	

iii) Refer tender page no.11 of 16, Section IV, Technical Compliance Statement:-

S. No	Item Description	Whether agreed by the bidder	Deviation if any
1	Size Press Vibratory Screen for PVA. Screen Size: 300 Micron Screen Dia: 48 inch MOC: Stainless Steel (SS) 300 Micron SS Screen mounted on 48 inch Tension Ring with TPE Gasket, with Centre Hole. (Ref Drawing - A)	Yes agreed	
2	Supply of Disc Screen-300micron for vibrating and grinding machine Spare Screen for Vibrating and Grading Machine Screen Size: 300 Micro Meter Screen Diameter: 30 inch Screen MOC: SS316 (Ref Drawing - B)	Yes agreed	
3	Supply of Disc Screen-500micron for vibrating and grinding machine Spare Screen for Vibrating and Grading Machine Screen Size: 500 Micro Meter Screen Diameter: 30 inch Screen MOC: SS316 (Ref Drawing B)	Yes agreed	

iv) Refer tender page no.16 of 16, Section V, Price Bid Format(To be filled Online Through E-Tender Portal):-

Dear Sir,

Sub: Price bid for Supply of Size Press Vibratory Screen at BNPM Plant, Mysore

Ref: e-Tender No: BNPM/OTE/Size Press Vibratory Screen/0361/2022-23 dated 19.08.2022

We have received and understood the above tender enquiry and are pleased to submit our price bid as under:

Sch. No.	Description	UOM	Qty	HSN/ SAC	Basic Unit price (INR)	P&F, Freight & Transit Insurance & any other charges(if any) per unit (INR)	Unit Price (incl. of P&F, Freight, Transit Insurance & any other charges (if any) excl. of GST)	GST (%)	GST on Unit Price (INR)	Total Unit Price (incl. of GST) (INR)	Less: Input Credit (GST) (INR)	Effective Unit Price (net of input tax credit) (F.O.R Mysore)	Total Effective price (net of input tax credit) (F.O.R Mysore)
			A		B	C	D=B+C	E	F=D*E	G=D+F	H=F	I=G-H	J=I*A
1.	Size Press Vibratory Screen	No	2	8474									
2.	Supply of Disc Screen-300micron	No	1	8474									
3.	Supply of Disc Screen-500micron	No	1	8474									
Total effective price (net of input tax credit) for Supply of size press vibratory screen with freight, P&F, Transit Insurance and any other charges (F.O.R – BNPM, Mysore site) in Figures (INR)													
Total effective price (net of input tax credit) for Supply of Size press vibratory screen with freight, P&F, Transit Insurance and any other charges (F.O.R – BNPM, Mysore site) (in words) (INR)													

Note: Prices quoted above shall be FOR BNPM, Mysore site basis inclusive of GST, Packing & Forwarding charges, freight, transit insurance and all other charges if applicable less input GST. Effective price shall be considered for arriving the lowest responsive bidder. However, PO price shall be inclusive of all charges on DAP BNPM, Mysore.